

SHURflo®

First in Fluid Innovation

Model 8000-441-138 Data Sheet

PUMP DESIGN: Positive Displacement 3 Chamber Diaphragm Pump

MOTOR: Permanent Magnet, P/N 11-111-00

VOLTAGE: 12v DC Nominal **CURRENT DRAW:** 3.1 A @ 0 PSI

PRESSURE SWITCH SETTING: 100 PSI +/- 5 PSI

PORTS: 1/2" Male Parallel

LIQUID TEMPERATURE: 170°F (77°C) Max.

PRIMING: Self priming up to 12ft vertical, max inlet pressure 30 PSI

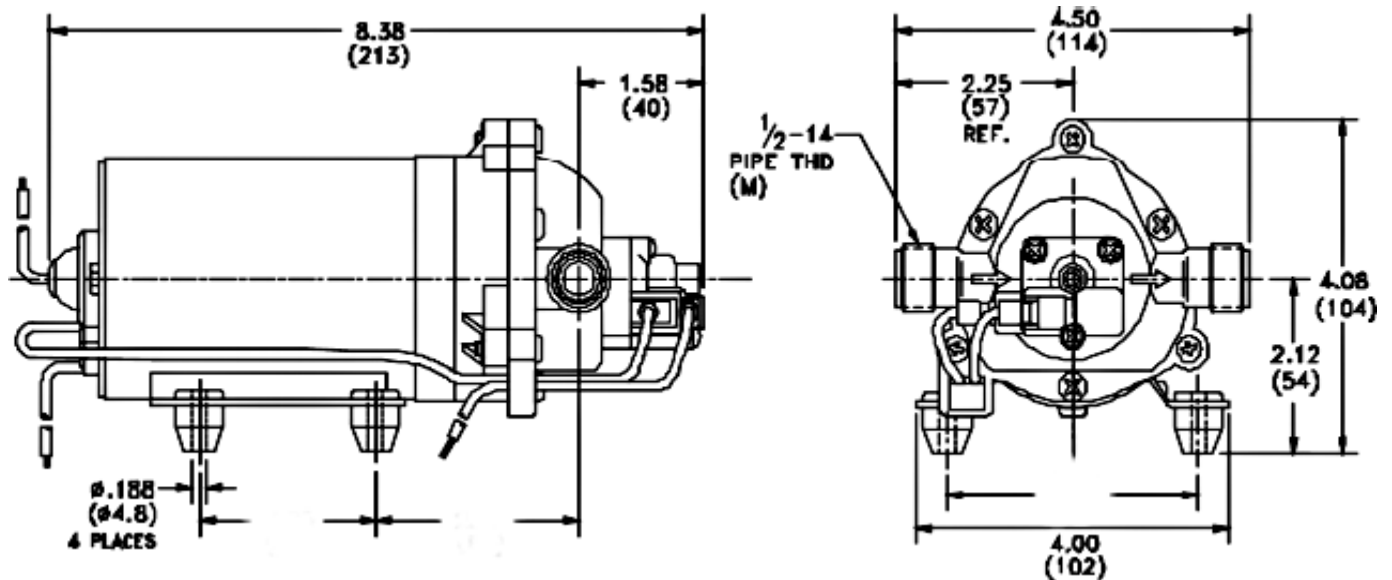
MATERIAL OF CONSTRUCTION:

PLASTICS- Polypropylene **VALVES-** EPDM **DIAPHRAGM-** Santoprene **CAM:** 2.0 Degree

FASTENERS- Zinc Plated Steel

DUTY CYCLE: Continuous

NET WEIGHT: 2.07Kg



PRESSURE Flow

0 psi	4.0 lpm
10 psi	3.7 lpm
20 psi	3.5 lpm
30 psi	3.4 lpm
40 psi	3.2 lpm
50 psi	3.0 lpm
60 psi	2.8 lpm
70 psi	2.6 lpm
80 psi	2.5 lpm
90 psi	2.3 lpm
100 psi	2.1 lpm