

# SLV Series Diaphragm Pump

## Demand Pumps



SLV10-AA48  
(Front and Back Shown)

- Automatic demand; 25 PSI [1.72 bar] on/40 PSI [2.8 bar]
- Self-priming up to 2.5 vertical feet [.76 m]
- Long-life pressure switch
- Thermally-protected ball bearing motor with splash-proof housing
- Internal fan radiates heat; external heat sink not required
- Integral on/off switch optional

The SHURflo SLV is ideal for low volume, intermittent-duty applications requiring a compact pump with low power consumption. Unique design has no metals in the fluid path for maximum chemical resistance. Pump features include automatic demand operation and elastomers that handle a wide variety of chemicals. Perfect for low volume spraying and transfer. Cost effective yet with high performance and reliability; the SLV offers tremendous value.

### Order Information - Automatic Demand Pumps 12 VDC

Part #	Description	Max GPM	Max PSI	Port Size	Max Draw
SLV10-AA40	Viton valves, Santoprene diaphragm, 40 PSI demand switch, Integral on/off switch included	1	30	3/8" Barb	2.5
SLV10-AA41	Viton valves, Santoprene diaphragm, 40 PSI demand switch	1	30	3/8" Barb	2.5
SLV10-AA48*	Viton valves, Santoprene diaphragm, 40 PSI demand switch, Manual switch and 2 pin connector 12VDC	1	30	3/8" Barb	2.5

\* Packaged in quantities of 6, for single pack, add suffix "AB" (i.e.: SLV10-AA48-AB).

### Automatic Demand Pumps 12 VDC

Model	PSI	BAR	GPM	L/min	Amps
SLV10-AA40	3	0.2	0.90	3.4	1.8
	10	0.7	0.73	2.8	2.1
	20	1.4	0.62	2.3	2.3
	30	2.1	0.49	1.9	2.5
SLV10-AA41	3	0.2	0.90	3.4	1.8
	10	0.7	0.73	2.8	2.1
	20	1.4	0.62	2.3	2.3
	30	2.1	0.49	1.9	2.5
SLV10-AA48	3	0.2	0.90	3.4	1.8
	10	0.7	0.73	2.8	2.1
	20	1.4	0.62	2.3	2.3
	30	2.1	0.49	1.9	2.5

### Order Information - Automatic Demand Pump 24 VDC

Part #	Description	Max GPM	Max PSI	Port Size	Max Draw
SLV10-AB41	Viton valves, Santoprene diaphragm, 40 PSI demand switch	1	30	3/8" Barb	1.23

### Automatic Demand Pump 24 VDC

Model	PSI	BAR	GPM	L/min	Amps
SLV10-AB41	3	0.2	0.90	3.4	0.89
	10	0.7	0.73	2.8	1.00
	20	1.4	0.62	2.3	1.15
	30	2.1	0.49	1.9	1.23

### Order Information - No Control Transfer Pump 12 VDC

Part #	Description	Max GPM	Max PSI	Port Size	Max Draw
SLV10-HA01	Viton valves, Geolast diaphragm, No demand switch	1	30	3/8" Barb	2.5

### No Control Transfer Pump 12 VDC

Model	PSI	BAR	GPM	L/min	Amps
SLV10-HA01	3	0.2	0.90	3.4	1.8
	10	0.7	0.73	2.8	2.1
	20	1.4	0.62	2.3	2.3
	30	2.1	0.49	1.9	2.5

**MODEL: SLV10-AB41**

**SPECIFICATIONS:**

**MODEL NUMBER:** SLV10-AB41

**PUMP DESIGN:** Positive Displacement Pump

**MOTOR:** Permanent Magnet

**VOLTAGE:** 12VDC Nominal

**PRESSURE SWITCH:** Factory Set @ 40PSI Shut-Off, Turn on  $25 \pm 5$  PSI

**LIQUID TEMPERATURE:** 110 Degrees Fahrenheit (43 Degrees Centigrade) Max

**PRIME:** Self Priming Up to 2.5 Ft. Vertical

**PORTS:** 3/8" Barb

**MATERIAL CONSTRUCTION:**

**MOTOR HOUSING -** Nylon

**PLASTICS-** Polypropylene

**VALVES-** Viton

**DIAPHRAGM-** Santoprene

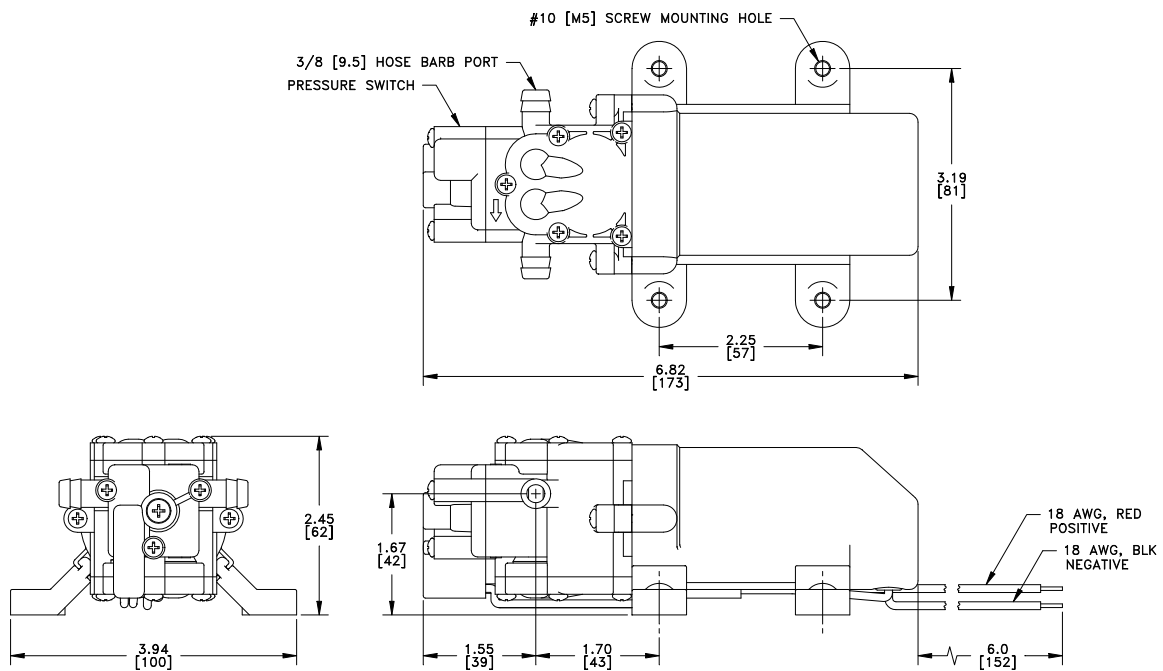
**FASTENERS-** Zinc Plated/ Stainless Steel

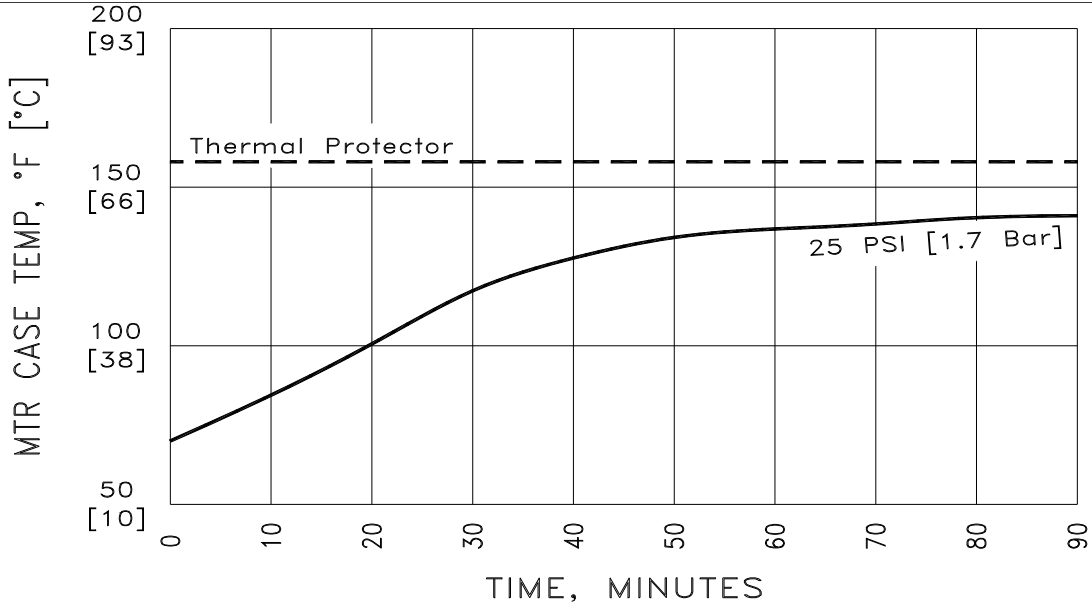
**FOR SPOT SPRAYING APPLICATIONS, USE #8 SPRAY TIP OR LARGER!**

**NET WEIGHT:** 1.27 lbs

**DUTY CYCLE:** Intermittent

**DIMENSIONS:**



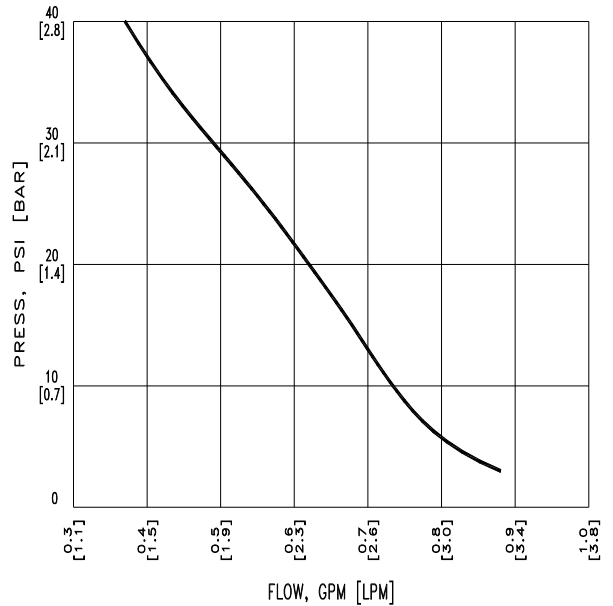


THIS GRAPH IS FOR USE AS A DESIGN GUIDE. IT IS BASED ON RUNNING CONTINUOUSLY WITH AN AMBIENT TEMPERATURE OF 70°F (21°C) IN STILL AIR.

**MODEL: SLV10-AB41**

**TYPICAL PERFORMANCE**

PRESSURE (PSI) /BAR	FLOW (GPM/LIT)	RPM MIN/MAX	CURRENT AMPS	VOLTS
3/.2	.9/3.4	3999/4346	0.9	24Volt
10/.7	.73/2.8	3827/4178	1.1	“
20/1.4	.62/2.3	3682/4045	1.15	“
30/2.1	.49/1.9	3609/3980	1.20	“
40/2.8	.37/1.4	3599/4034	1.25	“



FLOW-GALLONS PER MINUTE (LITERS PER MINUTE)

-SPECIFICATIONS SUBJECT TO CHANGE WITHOUT NOTICE  
 -ALL DATA BASED ON TESTING WITH WATER AT AMBIENT TEMPERATURE

5900 KATELLA AVENUE, CYPRESS CA. 90630 (562) 795-5200 (800) 854-3218 FAX (562) 795-7554  
 SHURflo EAST, 52748 PARK SIX COURT, ELKHART, IN 46514 (219) 262-0478/(800) 762-8094/FAX 219-264-2169  
 EUROPEAN DIVISION, UNIT 5, STERLING PARK, GATWICK ROAD, CRAWLEY, WEST SUSSEX RH10 2QT  
 011-44-1293-424-050 FAX 011-44-129-421-880